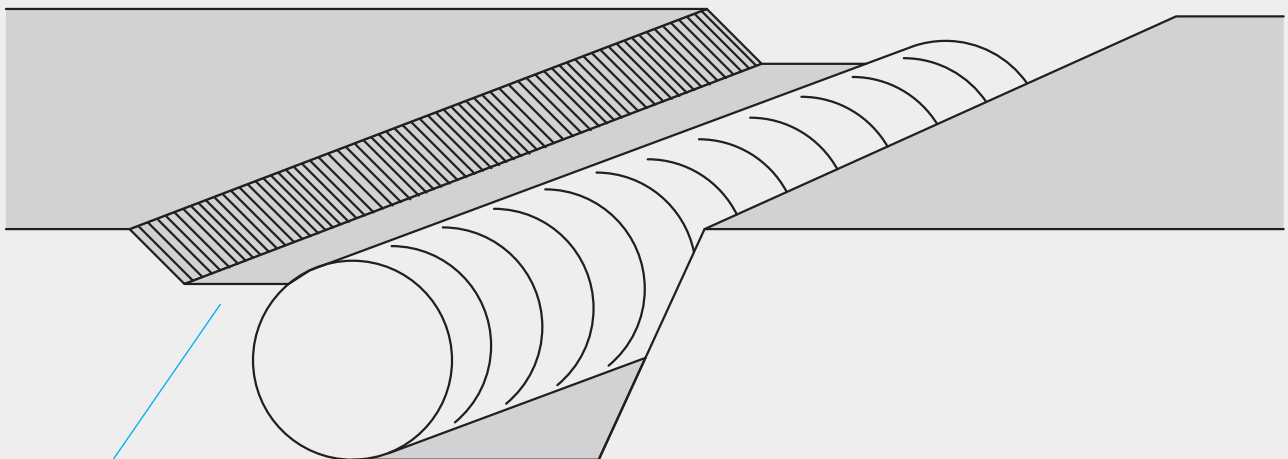


# EXTRACTING TEMPORARY CULVERT



1. Dig down 5-10%  
on one side.

2. Dig along one side  
of the pipe 100%.

3. Ease the pipe with  
digger bucket  
gently to the totally  
dug out side.

(A good suggestion is to  
place timber between  
the bucket and the pipe  
in stage three), saves  
denting the pipe.