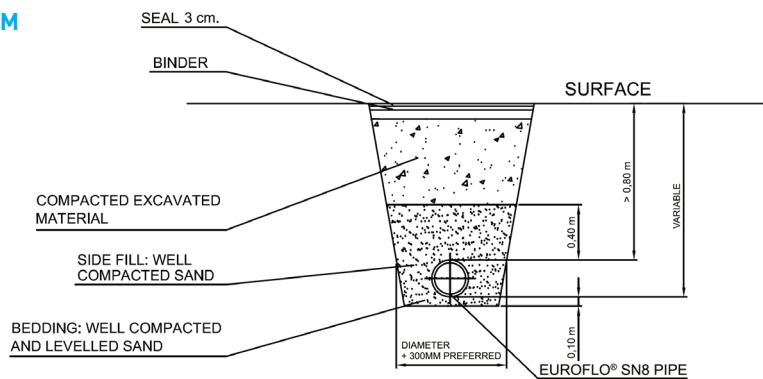
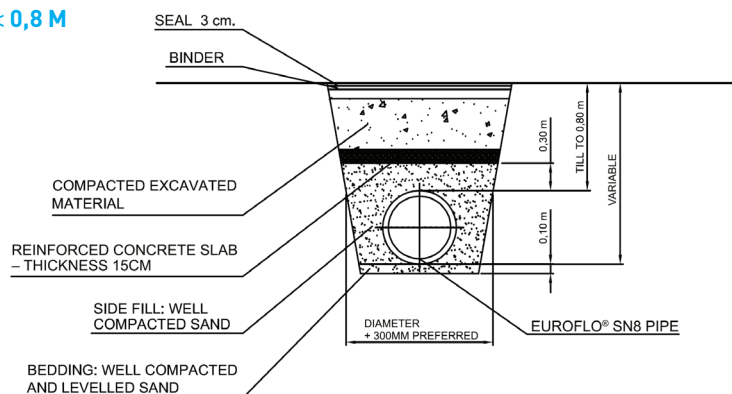


# LAYING OF EUROFLO<sup>®</sup> SN8 PIPE

## DEPTH OF COVER $H > 0,8 \text{ M}$



## DEPTH OF COVER $0,5 \text{ M} < H < 0,8 \text{ M}$



## DEPTH OF COVER $H < 0,5 \text{ M}$

