

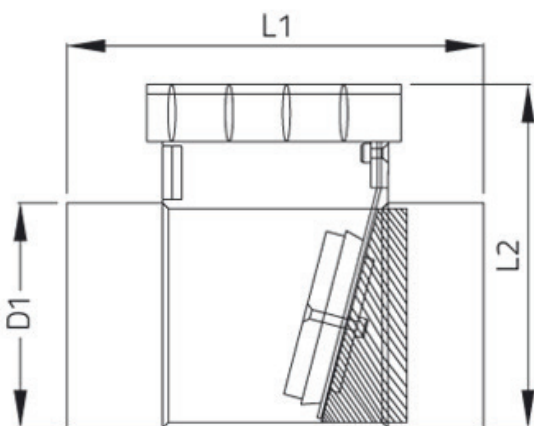
# INLINE VALVE

Inline flap valves are the ideal device for prevention of vermin travelling up pipe systems.

- Socketed both ends
- Removable screw lid for access
- Assists in back-flow prevention

Inline valves are fabricated to AS/NZS 1254 standard.

Size	Product code	Comment	D1	L1	L2
100mm	795-100	SW Reflux	DN100	218	180
150mm	795-150	SW Reflux	DN150	250	360



Note: Suitable for stormwater applications.