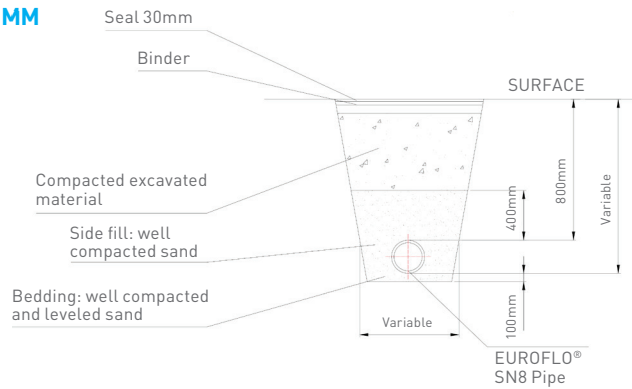
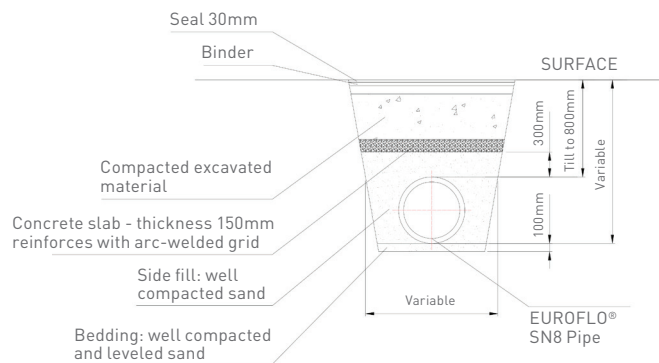


LAYING OF EUROFLO[®] SN8 PIPE

DEPTH OF COVER $H > 800\text{MM}$



DEPTH OF COVER $500\text{MM} > H > 800\text{MM}$



DEPTH OF COVER $H > 500\text{MM}$

