

LARGE DIAMETER EUROFLO® RUBBER RINGS

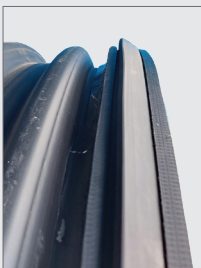
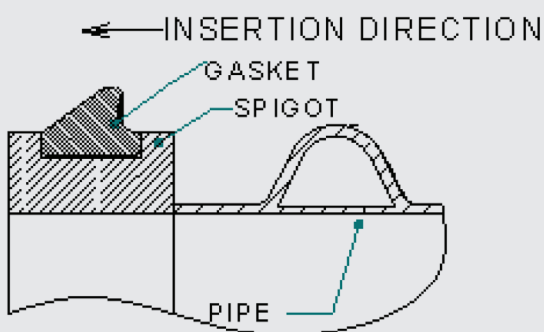
How-To Guide 1300mm – 2100mm

EUROFLO® culvert pipes come in 5.8m lengths and will have a watertight joint if a rubber ring is used.

STEP 1

- Put the rubber ring in the space between the first and second corrugation.
- Use tyre levers to stretch the rubber ring over the end of the pipe. Up to three levers can be used for large diameter pipes. Long flat levers are best to use.
- Head to the resources box on the EUROFLO® page at www.pandfglobal.com for a video on how to attach the rubber rings <https://youtu.be/GXYEJZ-0TvA>

NOTE: Warm soapy water allows the ring to slide on the flat levers. The ring can stretch much better when it is warm.



The rubber ring sits between the first and second corrugation. 1300mm pipe and rubber ring pictured.

STEP 2

- Make sure the socket and spigot end of the pipe is clean
- Lubricate the tip of the ring (be careful not to lube the whole ring as this may slide the ring out when installing)
- Lubricate the socket of the pipe
- Install the pipe with a constant and equally distributed thrust until the internal seat is reached.
- Best results are from pulling the pipe together rather than pushing it on the end
- If the pipe you are joining to isn't secured in position through backfill use straps to lever the pipes together like stropping a load

NOTES

- Ring styles may differ from that pictured.
- The rubber rings are very tight, 500mm and above it is suggested for 3 people to complete the fitting of rings.

ACCESSORIES

LUBE	SIZE	CODE	COMMENT
	500gm	OSLU19210	Tube of Lube
	2kg	L200	Tin of Lube
	3.5kg	L3500	Tin of Lube
TYRE LEVERS	SIZE	CODE	
	One size	521-TOOL-001	