

EUROFLO[®] SN8 HDPE PIPE 630MM OD X 5.8M LONG

Code: 560-630-5.8M

PRODUCT SPECIFICATION

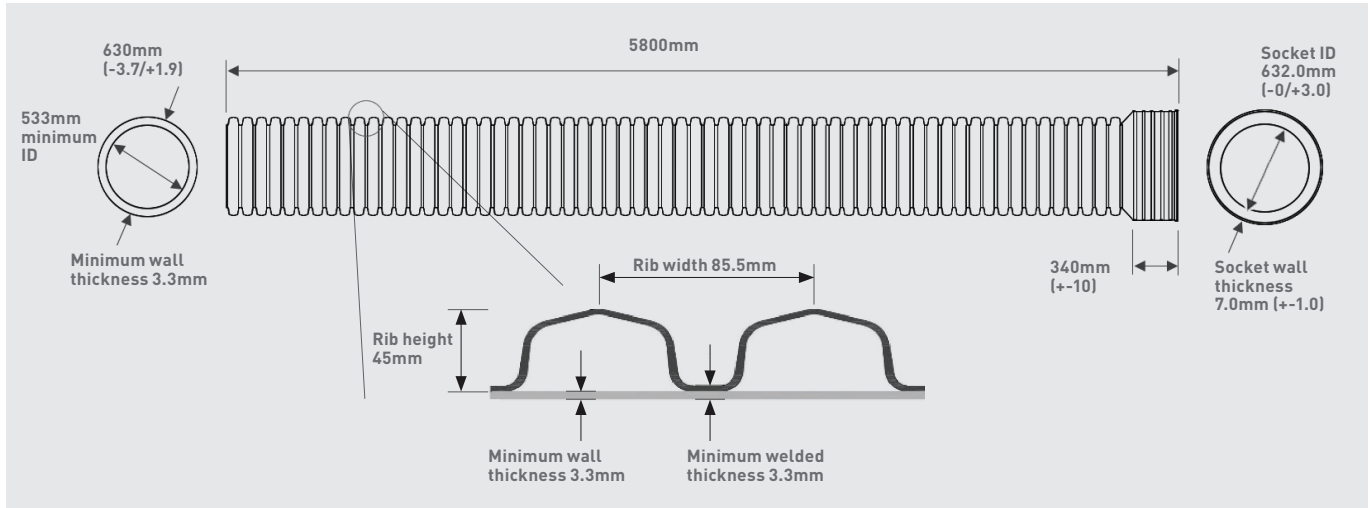
NAME:	EUROFLO [®] SN8 630mm pipe
CODE:	560-630-5.8M
STANDARDS:	Has conformity certification for AS/NZS 5065:2005 (R2016) Polyethylene and polypropylene pipes and fittings for drainage and sewerage standards. Pipe meets NZTA F3 2.1.7 specification for pipe construction and NZTA HNH072 bridge (culvert) requirements.
DESCRIPTION:	Heavy duty twin wall external black ribs with smooth grey bore, male/female socketed ends
MATERIALS:	HDPE high density polyethelene
LOAD RATING:	50 tonnes (refer to Section 5 of EUROFLO [®] Technical Brochure 250mm - 1200mm SN8)
SIZE:	630mm (-3.7/+1.9) OD, 533mm minimum ID x 5.8M long
ACCESSORIES:	560-630-RBR rubber seal joining rings
APPLICATIONS:	Stormwater, sewer and roading
INSTALLATION:	Install according to standard ASNZS2566.2 For more information please refer to the EUROFLO [®] Technical Brochure 250mm - 1200mm SN8
LIFESPAN:	HDPE EUROFLO [®] pipes have an expected lifespan of 100 years
SUSTAINABILITY:	The environmental benefits that accompany the use of HDPE in water and wastewater systems begin with its manufacturing. Pipe produced from HDPE resin uses significantly less energy to manufacture when compared to other materials such as iron and concrete. Transporting HDPE piping to municipal water and wastewater job sites requires far less fuel than competing materials which are much heavier. HDPE is lightweight yet extremely durable. HDPE offers superior piping to traditional piping alternatives that require more energy to manufacture and are susceptible to corrosion.
ASSOCIATED 630MM RANGE:	<ul style="list-style-type: none"> • 110-200mm Go-In System • Can be slotted in different patterns • Wide range of fittings in stock and fabricated custom fittings also available

MAINTENANCE PLAN:

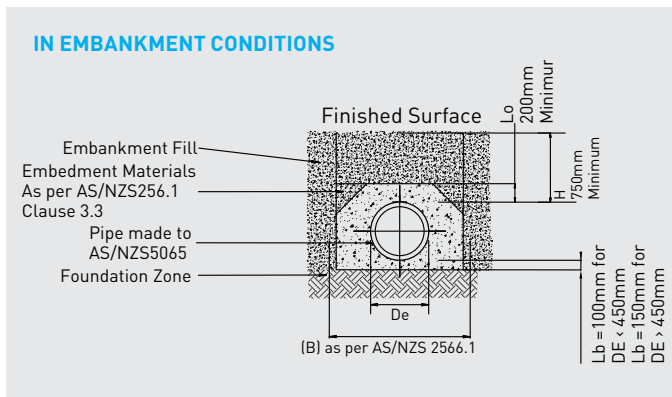
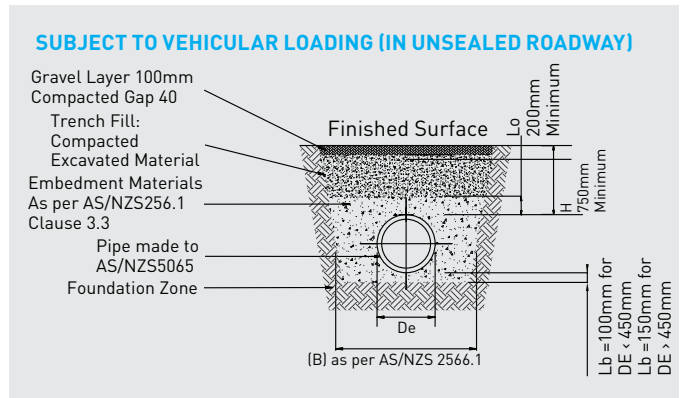
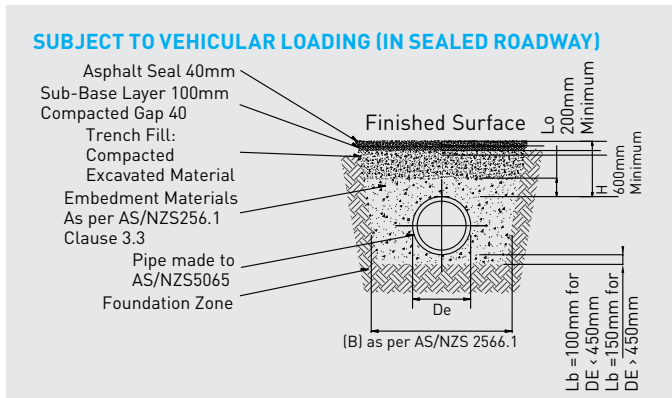
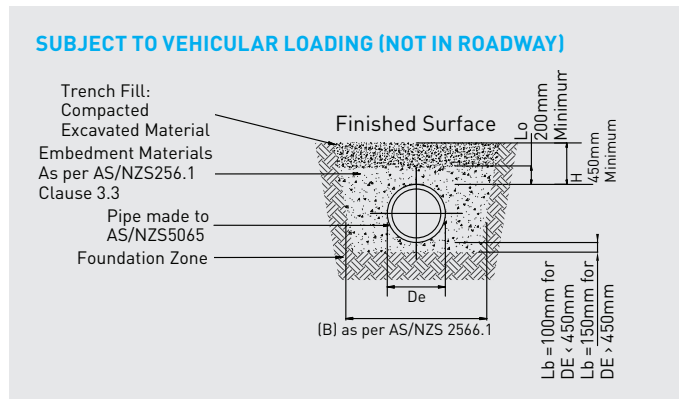
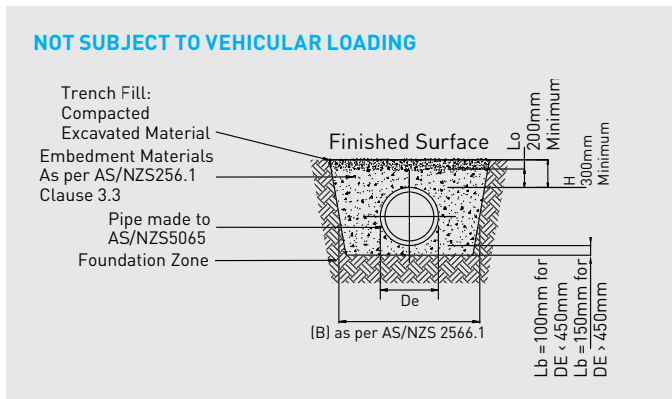
Complete the following checks as frequently as necessary but at least every 3 months for stormwater drainage

- Check for any subsidence of fill along pipeline length
- Clear any debris build up around headwall
- Clear overgrown vegetation around headwall
- Check for any scouring around the outlet
- Fluming may be required to control scouring

EUROFLO® SN8 HDPE PIPE 630MM OD X 5.8M LONG
CODE: 560-630-5.8M



LAYING OF EUROFLO® SN8 PIPE - RECOMMENDED SECTIONS



DISCLAIMER:

This document is provided to facilitate drainage system design, procurement and generic installation only. P&F Global recognises that it cannot be liable for any design and or installation practises. The internal measurement shown here is nominal.